

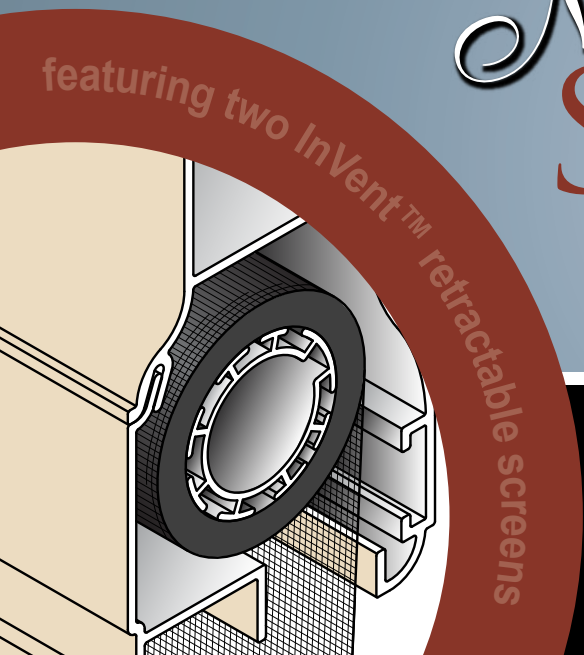


*New!*

# SPECTRUM™

STORM DOORS

*Exclusive top & bottom retractable screen system  
makes venting your storm door a breeze!*



**Sugarcreek  
Industries**

— A Tradition of Excellence —

# SPECTRUM™

## STORM DOORS



With the choice of either a Full View or Three-quarter View model, you'll find the right storm door for your particular need.



#291 Full View



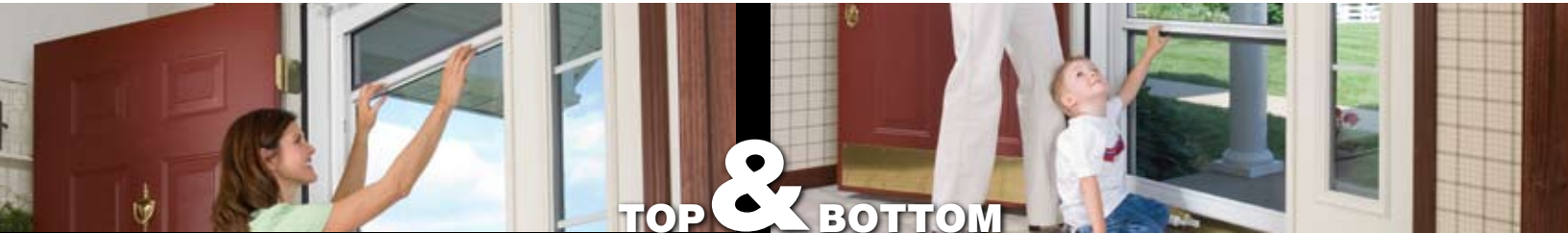
#298 Three-quarter View

### available colors

to select color finish, refer to our color selector for accurate color representation



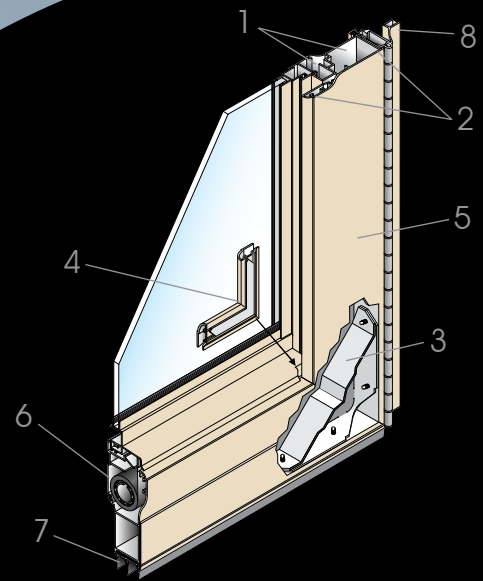
*The InVent™ retractable screen system is designed to absorb small impacts, and re-align automatically!*



**Spectrum™ Storm Doors eliminate the hassle of removing and storing screens and sashes!**

*Spectrum™ Storm Doors feature two InVent™ retractable screens with our Compound Tension™ sashes. You'll appreciate the smooth functionality, along with the beauty & durability you've come to expect from Sugarcreek Industries.*

patent pending



### details

- 1 Multi-hollow construction provides greater strength and security than standard storm doors.
- 2 The wide, sculptured frame (1¼" x 4³⁄₁₆") adds durability.
- 3 Outside corners are secured to corrosion resistant gussets, which enhance the structural integrity of the door.
- 4 Corner keys provide added support to the inside of the door frame.
- 5 The .060" aluminum wall thickness is up to 20% thicker than the industry standard.
- 6 Easy access to screen cartridge makes screen replacement simple.
- 7 The triple seal bottom sweep eliminates drafts.
- 8 Color matched aluminum installation screw covers enhance the appearance of your door.



**Sugarcreek Industries**  
Since 1940 A Tradition of Excellence

**SPECTRUM**<sup>TM</sup>  
STORM DOORS



**Sugarcreek  
Industries**  
— A Tradition of Excellence —

425 South Broadway Street  
P.O. Box 460, Sugarcreek, Ohio 44681  
[www.sugarcreekindustries.com](http://www.sugarcreekindustries.com)

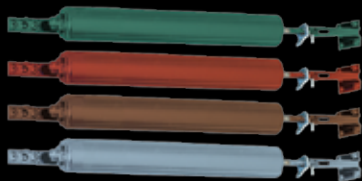
**standard  
hardware & accessories**



Bright brass Sierra  
solid brass mortise hardware



1 1/2" brass-look bottom expander



Dual closers (color matched  
to your storm door)



Brass-look piano hinge

Ask to see additional storm door literature for a complete selection of models, hardware and accessories.

